



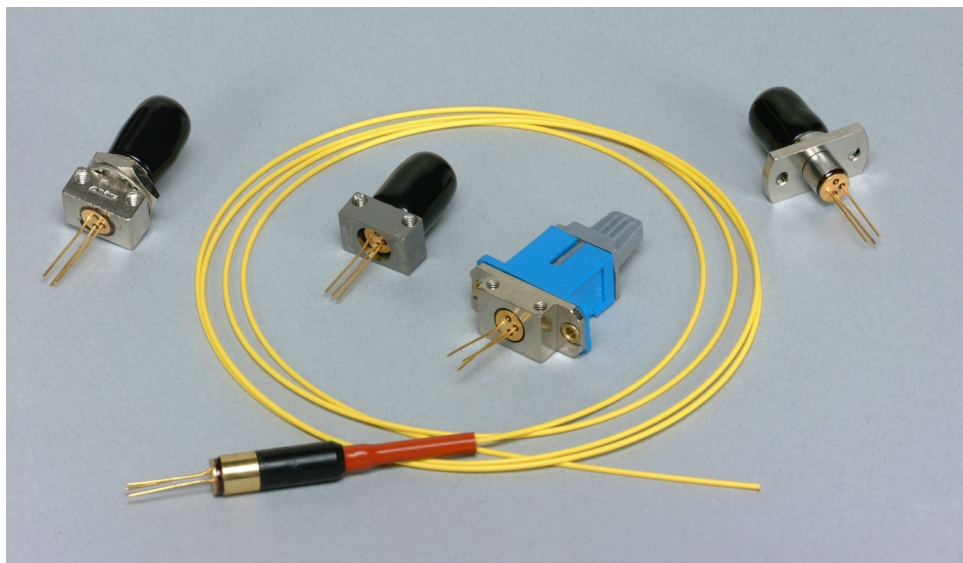
PD-LD Inc. offers a variety of standard and custom PIN Photodiodes and APDs in fiber coupled packages. The semiconductors offered are of proven manufacture and design. Our Silicon devices cover the optical spectrum from 400 to 1100nm. These devices are available in fiber pigtailed co-axial packages or in connector style receptacle packages.

**Pigtailing**

Devices can be pigtailed with any size optical fiber that is compatible with its active area size. Pigtails may range in core size from 3um to 100micron. One meter is the standard length, but any length or connector termination may be specified. Pigtails may be terminated with ST, FC, SC and LC connectors with either PC or APC polish.

**Receptacles**

Standard ST, FC and SC housings are available in both panel and board mountable versions. These receptacles can be optimized for use with both single mode and multimode optical fibers.



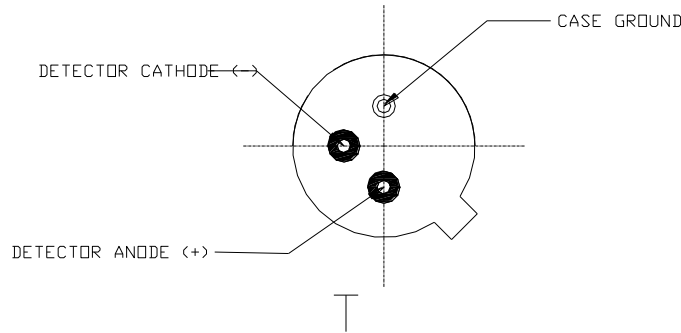
**Manufacturing**

Efficient package designs and manufacturing processes allow PD-LD to rapidly support both small and large volume requirements. Complete 100% testing of all critical parametric device values ensure optimal performance and quality. Not all receptacle packaging styles are represented on this data sheet, so please contact PD-LD for specific needs.

PD-LD Part Number	Active Area (µm)	Responsivity (A/W)		Capacitance		Dark Current		Bandwidth -3dB (MHz)	Pin-Out
		Min.	Typ.	Typ.	Max	Typ.	Max		
<b>Silicon (@5V bias, 850nm Laser Source, 23°C for typical values)</b>									
PDSIU500200A-0-0-01	500	0.35	0.45	2.5	-	0.06	1.0	600	T
PDSIU5003STD-D-0-01	500	0.35	0.45	2.5	-	0.06	1.0	600	T
PDSIU500FC13-W-0	500	0.35	0.45	2.5	-	0.06	1.0	600	T
PDSIU500ASMA-0-0-02	500	0.35	0.45	2.5	-	0.06	1.0	600	T
PDSIU500ST7D-T-0	500	0.35	0.45	2.5	-	0.06	1.0	600	T
PDSIU500D00A-0-0-01	500	0.35	0.45	2.5	-	0.06	1.0	600	T

PD-LD Inc. reserves the right to make modifications to or discontinue products without prior notice.

**Pinout & Mechanical Dimensions (mm)**



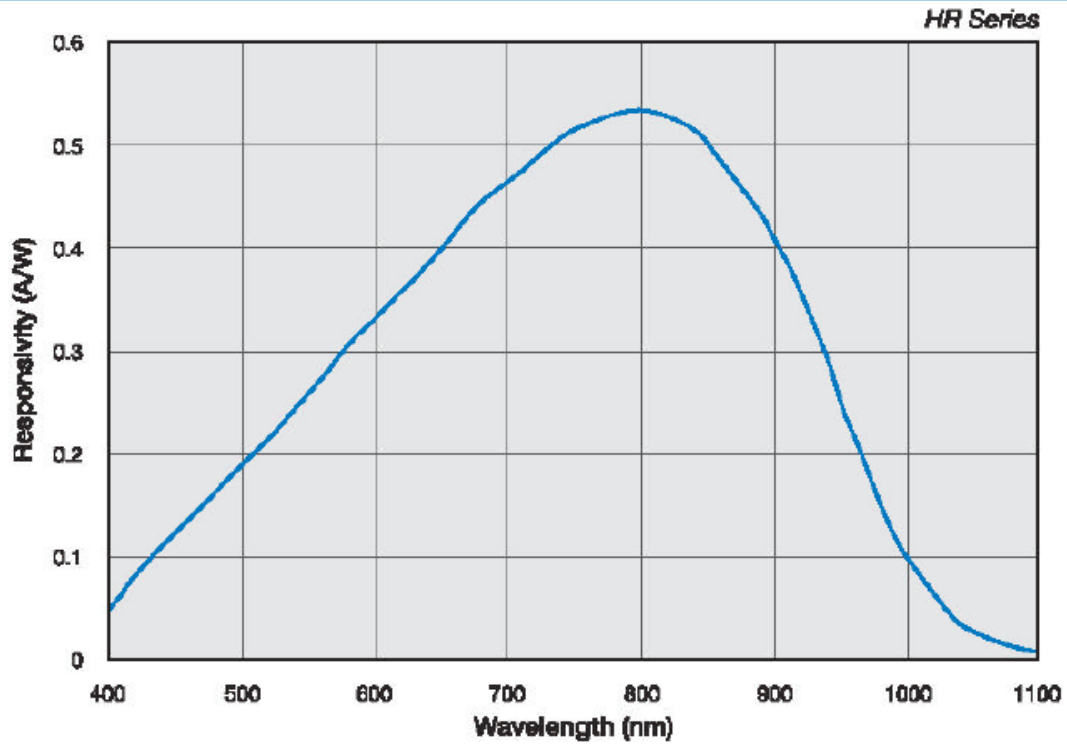
PD-LD aligns then secures each TO-Packaged photodiode within a universal alignment sleeve. This assembly may then be incorporated into a connector receptacle assembly ( FC, SC , ST, etc.) or into a fiber pigtailed assembly. Some examples of housings are listed here, but other packages are available upon request, including board mountable SC and FC styles. The standard pin-out rotation is to have the TO can tab at 1:00 when the assembly is viewed from the rear and the key slot is up (12:00) .

**PART NUMBER CONFIGURATION**

<b>Pigtailed</b>	<b>Receptacle</b>
<b>P DXXKAAAFCCB-O-V-M</b>	<b>PDXXKAAACCCF-O-V</b>

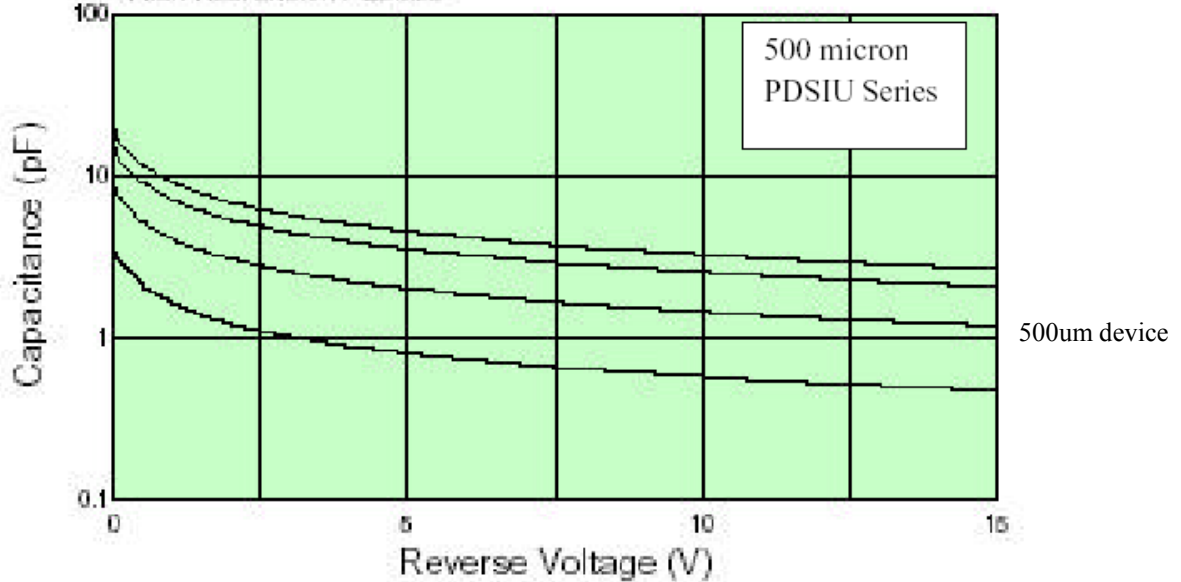
Device Type XX	Device Code K	Active Area AAA	Fiber Size F (µm)	Connector CC	Receptacle CCC	Bracket B Pigtail Only	Orientation O	Pigtail Length M
SI= Silicon PIN  Unique Device codes may be assigned by PD-LD to each detector. Standard 500 um detectors are code "U"		500=500µm	1=9/125/900	FC=FC/PC	FC1=Panel Mount	A=None	TBD	10=10m
			2=50/125/900	FA=FC/APC	FC2=Board Mount	B=102-10112 Panel	02=2m	
			3=62.5/125/900	SM=SMA 905	SC1=Panel Mount	C=102-10181 BdMt	01=1m	
			D=105/125/900	SC=SC/PC	SC2=Panel or Board Mount	D=102-10198 BdMt	.5=0.5m	
			A=200/240/900	SA=SC/APC	ST7=Low Profile	W=Bracket Shipped Separately	.1=0.1m	
			9=Customer Supplied	ST=ST/PC	ST8=Board/ Panel Mount	X=Custome r Supplied		
	00=No Connector	SM1=SMA						
			UN1=Universal Bd. Mt.					

■ Typical Spectral Response



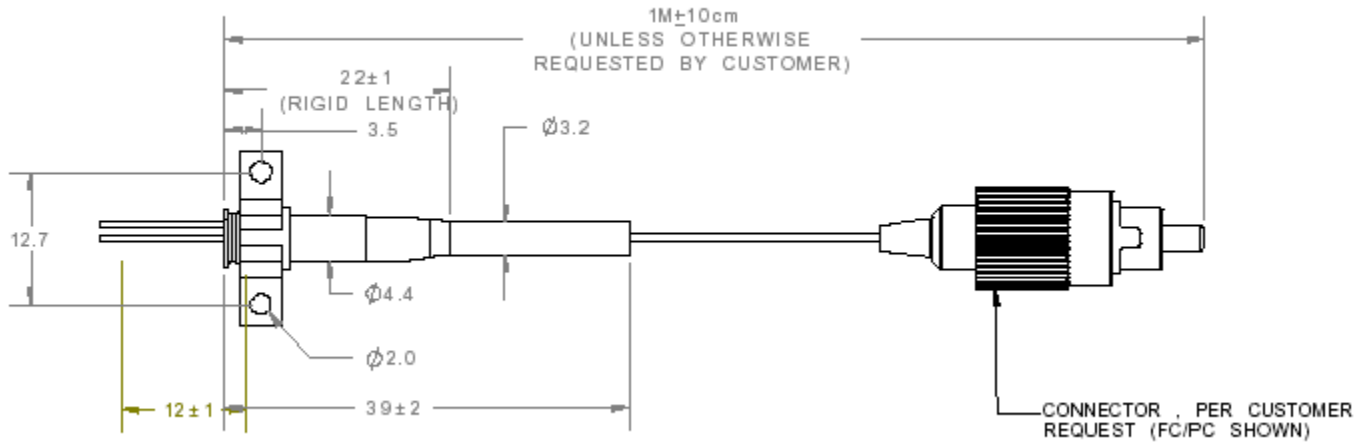
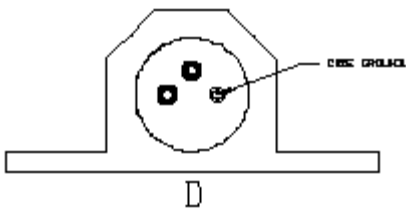
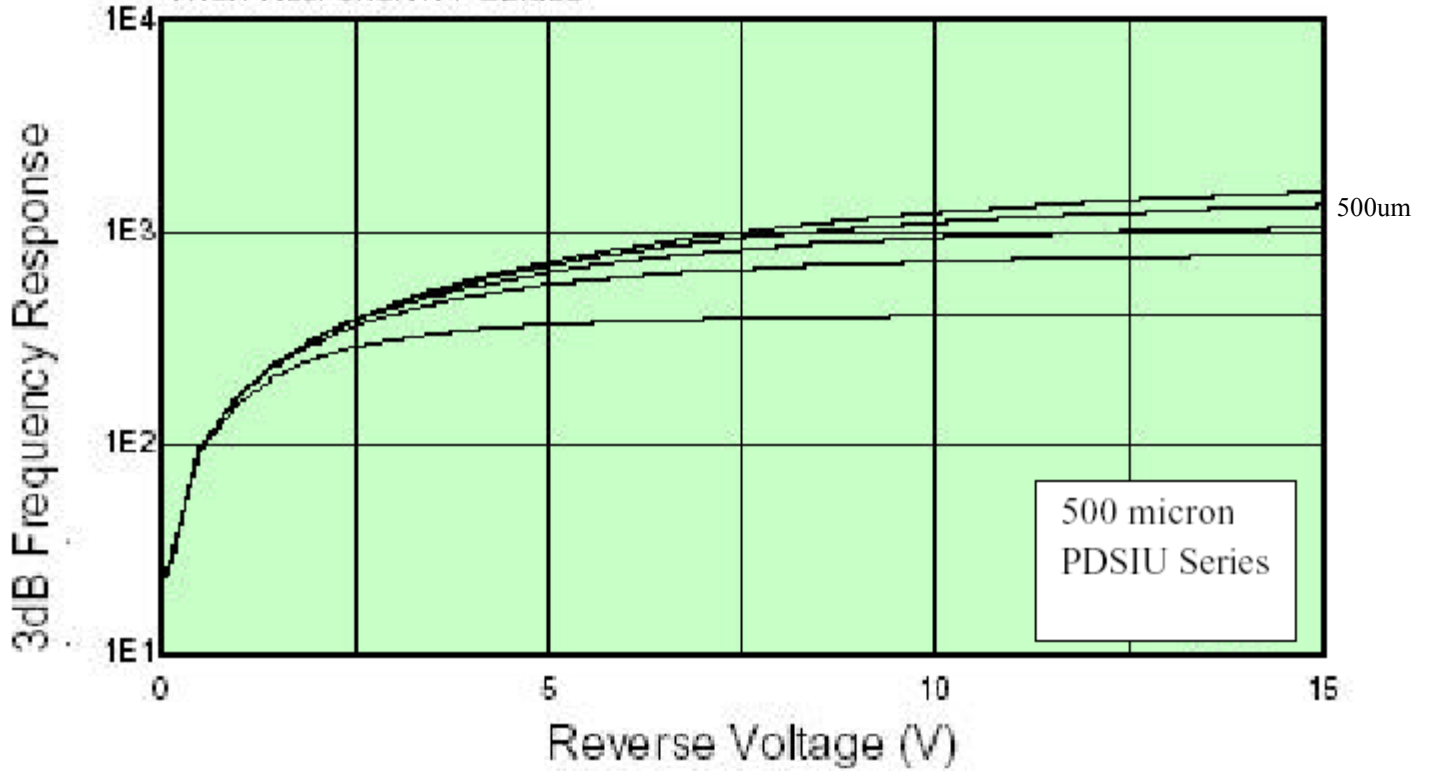
Typical Capacitance vs Reverse Bias

HIGH RESPONSIVITY SERIES



*Frequency Response vs Reverse Bias*

HIGH RESPONSIVITY SERIES



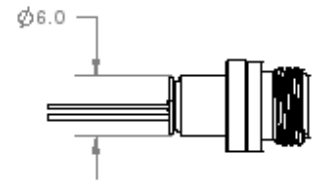
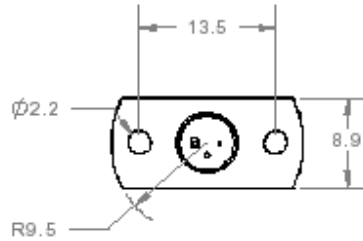
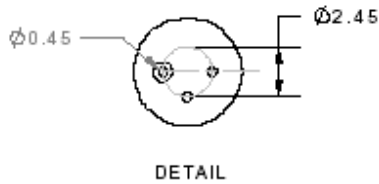
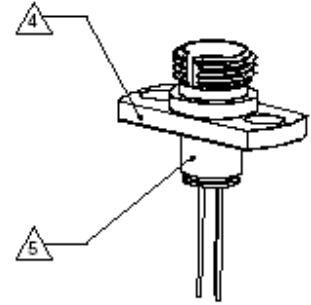
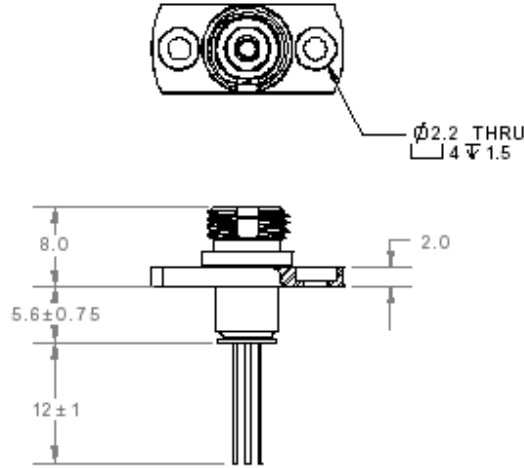
**Mechanical Drawing for  
PDSIU500FC13-W-0**

NOTES:

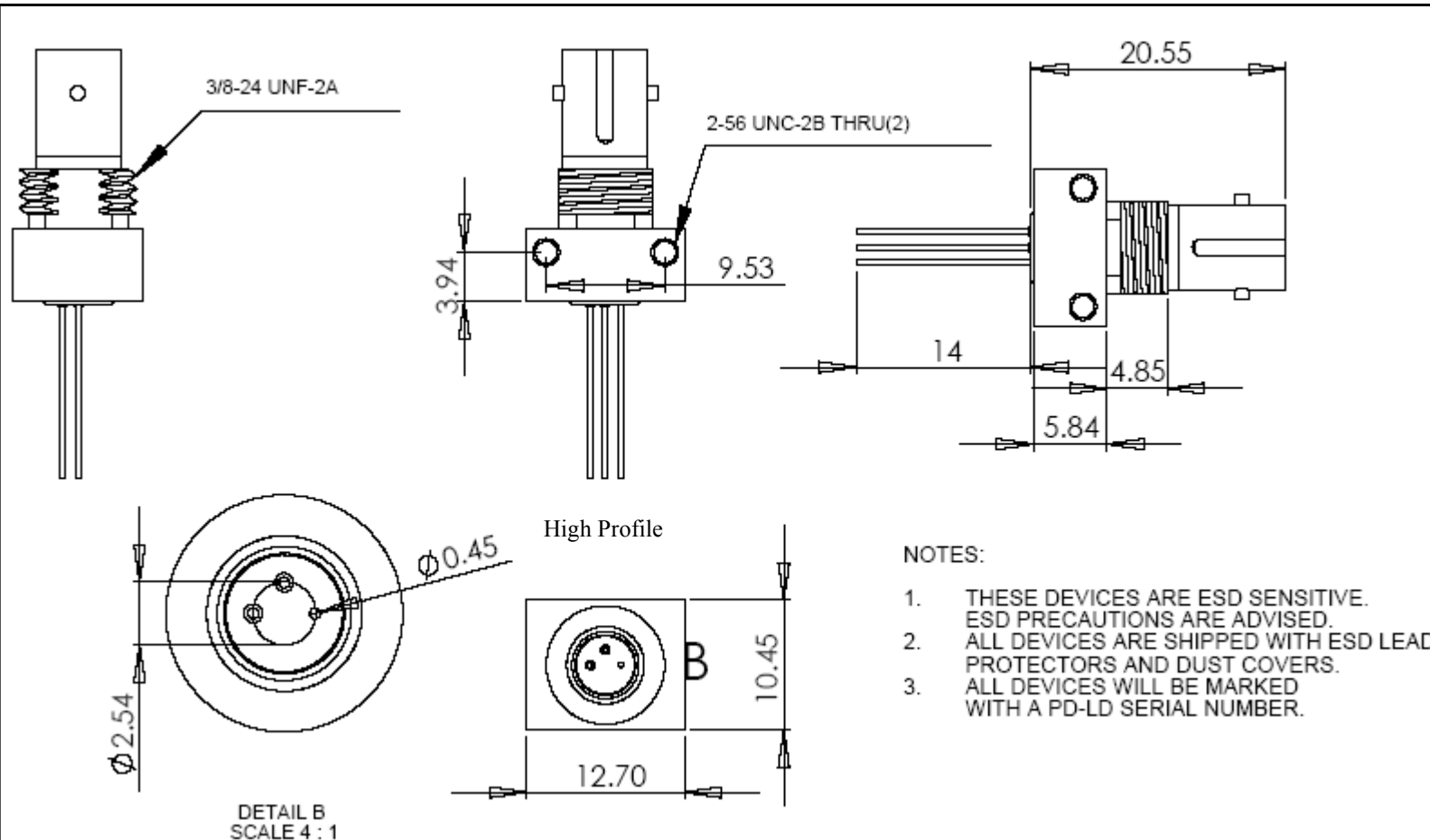
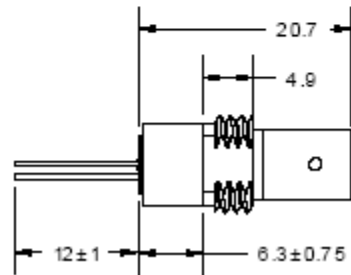
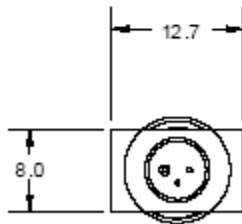
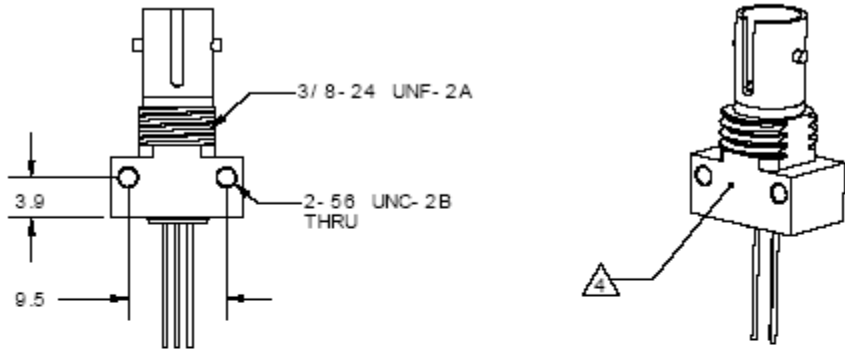
- 1 THESE DEVICES ARE ESD SENSITIVE. ESD PRECAUTIONS ARE ADVISED.
- 2 ALL DEVICES ARE SHIPPED WITH ESD LEAD PROTECTORS AND DUST COVERS.
- 3 ALL DEVICES WILL BE MARKED WITH A PD-LD SERIAL NUMBER.

4 BRASS, NICKEL PLATED

5 SS303

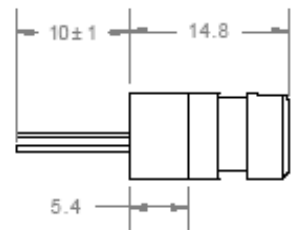
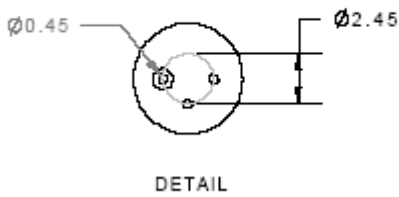
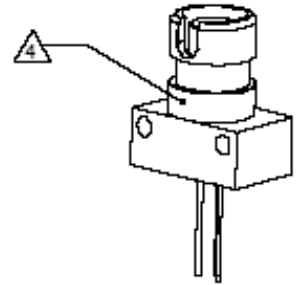
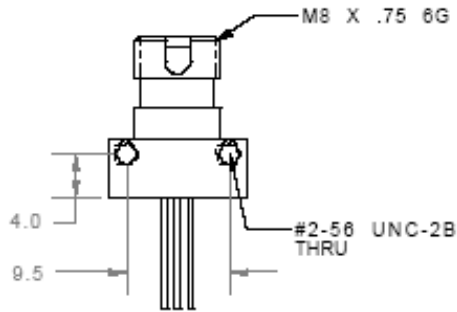


Mechanical Drawing for PDSIU500ST74-W-0



- NOTES:
1. THESE DEVICES ARE ESD SENSITIVE. ESD PRECAUTIONS ARE ADVISED.
  2. ALL DEVICES ARE SHIPPED WITH ESD LEAD PROTECTORS AND DUST COVERS.
  3. ALL DEVICES WILL BE MARKED WITH A PD-LD SERIAL NUMBER.

Mechanical Drawing for Board Mount FC Receptacle  
PDSIU500FC23-W-0



Absolute Maximums	
Operating Temperature	-40 to +85 °C
Storage Temperature	-40 to + 100 °C
Reverse Voltage	15V